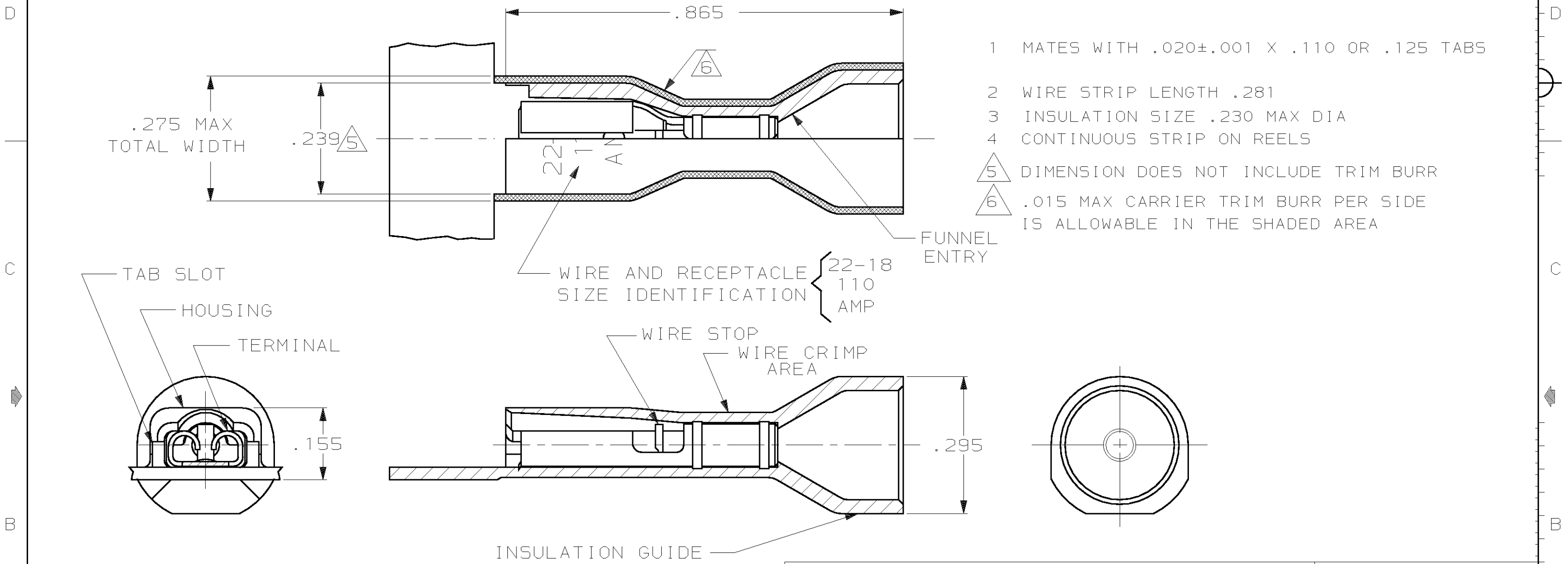


THIS DRAWING IS UNPUBLISHED. RELEASED FOR PUBLICATION, 19  
 © COPYRIGHT 19 BY AMP INCORPORATED. ALL INTERNATIONAL RIGHTS RESERVED.

|           |            |   |   |           |     |                      |        |       |
|-----------|------------|---|---|-----------|-----|----------------------|--------|-------|
| LOC<br>AF | DIST<br>50 | P | F | REVISIONS |     |                      | DATE   | APPD  |
|           |            |   |   | ZONE      | LTR | DESCRIPTION          |        |       |
|           |            |   |   |           | J   | REV PER 0G1A-0145-99 | 3JUN99 | JR/JH |



- 1 MATES WITH .020±.001 X .110 OR .125 TABS
- 2 WIRE STRIP LENGTH .281
- 3 INSULATION SIZE .230 MAX DIA
- 4 CONTINUOUS STRIP ON REELS
- △5 DIMENSION DOES NOT INCLUDE TRIM BURR
- △6 .015 MAX CARRIER TRIM BURR PER SIDE IS ALLOWABLE IN THE SHADED AREA

HOUSING: NYLON, COLOR-RED TRANSLUCENT  
 RECEPTACLE: #3 HARD BRASS  
 TIN PL .000080 MIN THK PER MIL-T-10727

|   |                              |   |                  |
|---|------------------------------|---|------------------|
| MATERIAL & FINISH   |                              | PART NO   |                  |
| DO NOT SCALE PRINT. UNLESS SPECIFIED DIMENSIONS IN INCHES TOLERANCES ON:<br>2 PLC DEC ± -<br>3 PLC DEC ± .015<br>ANGLES ± - |                              | 2-520306-2  |                  |
| MATERIAL  | DR 11/9/88<br>P FORTNEY      | AMP INCORPORATED<br>Harrisburg, Pa. 17105                           |                  |
| FINISH  | CHK 11/9/88<br>MS FEHER      |   |                  |
| SEE TABLE   | APPD 11/11/88<br>K RANDOLPH  | NAME<br>RECEPTACLE ASSY, ULTRA-FAST,<br>.110/.125 SERIES, 22-18 AWG |                  |
| SEE TABLE   | APPD 11/11/88<br>TL SHUTTER  | SIZE<br><b>B</b>  | FSCM NO<br>00779 |
|   | PRODUCT SPEC<br>108-2043     | DRAWING NO<br>520306  |                  |
|   | APPLICATION SPEC<br>114-2123 | SCALE<br>5:1  | SHEET<br>1 OF 1  |
|   | WEIGHT -                     |   |                  |